

**U.S. PUBLIC LAND CORNER  
MAINTENANCE**

# 46

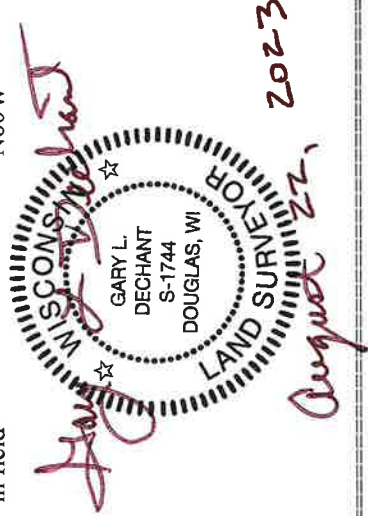
**Corner ID: S/14 Sec. 10, T17N-R4W  
21704100020**

<u>DATE</u>	<u>CREW</u>	<u>MONUMENT INFO</u>
August 21, 2023	Zachariah P. Dechant Gary L. Dechant	Found Harrison intact, in north south fence line, old survey sign on west side. 345' north Centerline CTH BC basically straight east of NE corner of house 7824 CTH "BC"

- 1) Set 5/8"x24" round rebar, down 12"-16" in field
- 2) Set 5/8"x24" round rebar, down 12"-16" in field
- 3) Set 5/8"x24" round rebar, down 12"-16" in field
- 4) Set 5/8"x24" round rebar, down 12"-16" in field

Compass bearings

<u>Bearing</u>	<u>Distance</u>
N59E	16.75'
S61E	17.14'
S60W	13.91'
N60W	13.79'



CERTIFICATE

I, Harley A. Sime, do hereby certify that on the 5 day of May 1975, I found ~~(evidence)~~ (no evidence) of the S 1/4 corner of Section 10, T17 N, R 4W, Fourth Principal Meridian, and I re-established said corner according to the Wisconsin Statutes as shown and described hereon.

Dated this 15 day of Jan. 1976.

Harley A. Sime  
County Surveyor  
Title

CERTIFIED LAND CORNER

No. 46

History of original corner establishment:

Description of corner evidence found:

Set the corner on line with the section corners and in the occupied N-S 1/4 line.

**See Reverse Side For Maintenance**

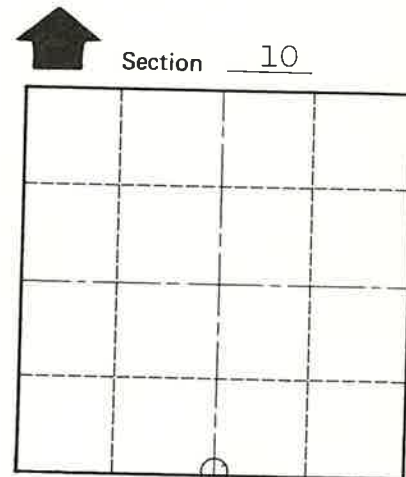
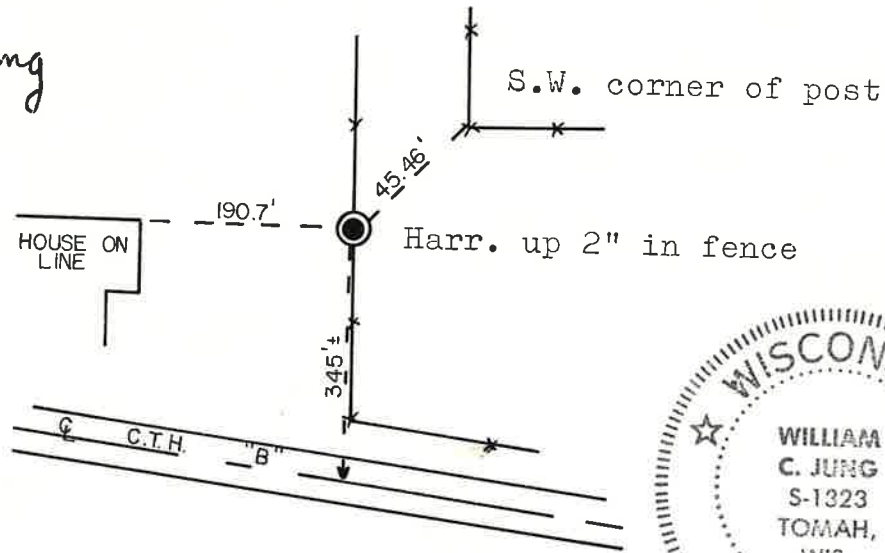
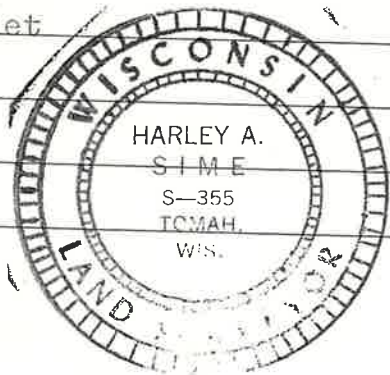
Description of corner and witness monuments, references and accessories used to perpetuate the original or re-established location of this corner:

Set Harrison in the fence, up 2".

Witnesses to corner location:

W.C. Jung - Crew Chief W.C. Jung

D. Malliet



O = LOCATION CORNER

T 17 N R 4W

WISCONSIN



COUNTY SURVEYOR FORM NO. 1

SURVEY CONTROL ORDER

Horizontal	_____
Vertical	_____

WISCONSIN COORDINATE SYSTEM

Corner	East (X)	North (Y)	Elevation (Z)	Zone
Control Sta. Name				

City, Village or Town Sparta

County of Monroe