

**U. S. Public Land Corner
Maintenance**

107

Corner: SW Sec. 27, T19N-R4W

21904280000

<u>Date</u>	<u>Crew</u>	<u>Monument type</u>
April 13, 2021	Zachariah P. Dechant Gary L. Dechant	Found Harrison intact, center of Canary Ave on line with fence to the north, 125' east of Driveway 6912 Canary


References:

- 1) Existing gear bar at r/w fence corner
- 2) Set 2' section steel post 3' SE 3" Burr Oak
- 3) Set 2' section steel post in field, down 10"
- 4) Set 2' section steel post in field, down 10"

<u>Bearing</u>	<u>Distance</u>
North	33.10' (33.00')
N35E	55.56'
South	36.25'
S35W	40.74'

Compass bearings

Corner and reference markers set on straight lines.

Gary L. Dechant

April 27, 2021

I, Harley A. Sime, do hereby certify that on the 16 day of June 19 76, I found (evidence) ~~no evidence~~ of the SW corner of Section 27, T 19 N, R 4W #, Fourth Principal Meridian, and I re-established said corner according to the Wisconsin Statutes as shown and described hereon.

Dated this 7TH day of Feb. 19 78.

History of original corner establishment:
 Found Existing Gear bar North of Road and in fence line (north-south) no record of it.

Description of corner evidence found:

Set Harrison Monument 33.00 feet south of existing gear bar and in centerline of road.

Approved: **HARLEY A. SIME**
MONROE CO. SURVEYOR

County Surveyor
 Title

See Reverse Side
 For Maintenance

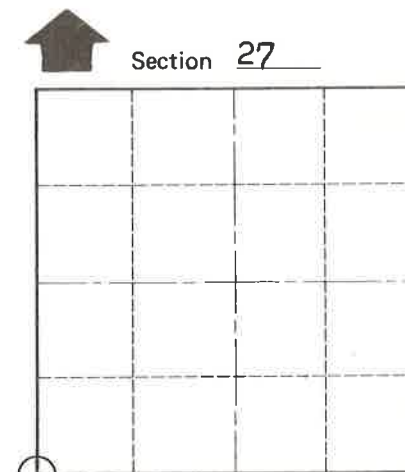
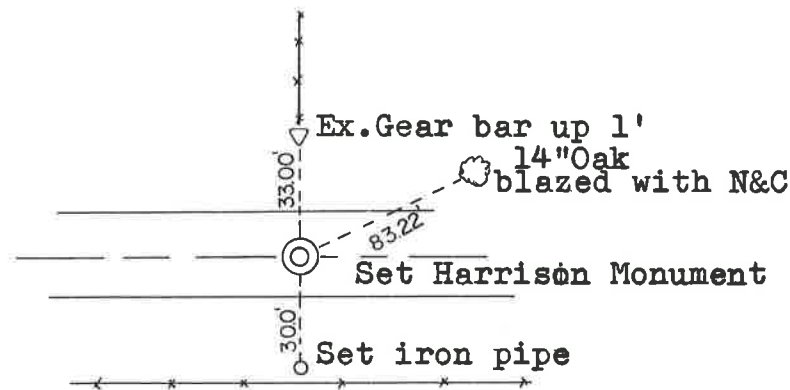
Description of corner and witness monuments, references and accessories used to perpetuate the original or re-established location of this corner:

Witnesses to corner location:

Garold A. Sime, Crew Chief *G.A. Sime*

D. Dade

B. Meyer



O = LOCATION CORNER
 T 19 N R 4W #
 WISCONSIN

COUNTY SURVEYOR FORM NO. 1

SURVEY CONTROL ORDER

Horizontal	_____
Vertical	_____

WISCONSIN COORDINATE SYSTEM

Corner	East (X)	North (Y)	Elevation (Z)	Zone
Control Sta. Name				

~~#####~~ or Town Little Falls

County of Monroe