

JACKSON COUNTY – U.S. PUBLIC LAND SURVEY MONUMENT RECORD

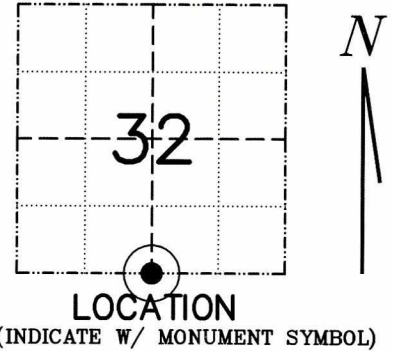
TYPE OF MONUMENT: Harrison Cast Iron Monument
 REFERENCED FOR SURVEY RECORDED IN CSM# _____ OR CSR# 3170
 SURVEYOR'S FILE# OR PROJECT# HSE File 12041
 DRAWN BY: NRH
 WITNESS: DJH

CORNER VOL. 15, PAGE 2328
 CORNER# 22004320020
 SECTION 32, T 20 N, R 4W

GEOGRAPHIC LOCATION:

LATT: _____
 LONG: _____
 ELLIPSOID HEIGHT _____ m _____ ft.
 ORTHO HEIGHT _____ m _____ ft.
 Estimated height accuracy ± _____ ft.

NAD 83 (91)
 WISCRS - JACKSON COUNTY
 COUNTY COORDINATE SYSTEM
 (TO BE ASSIGNED BY COUNTY)
 N = 47451.1079
 E = 78466.0785
 -EDR 12/29/2015



BASIS FOR MONUMENT LOCATION

Please describe if this is a found, obliterated or lost corner. Give a complete history of the corner listing the vol. & page, dates, surveyor and description of found monument. Please list all parole testimony and who provided it as well as other witness' of recovery. Please describe the best way to reach this corner. Indicate how obstructed this monument might be for GPS observations. Continue on backside if necessary.

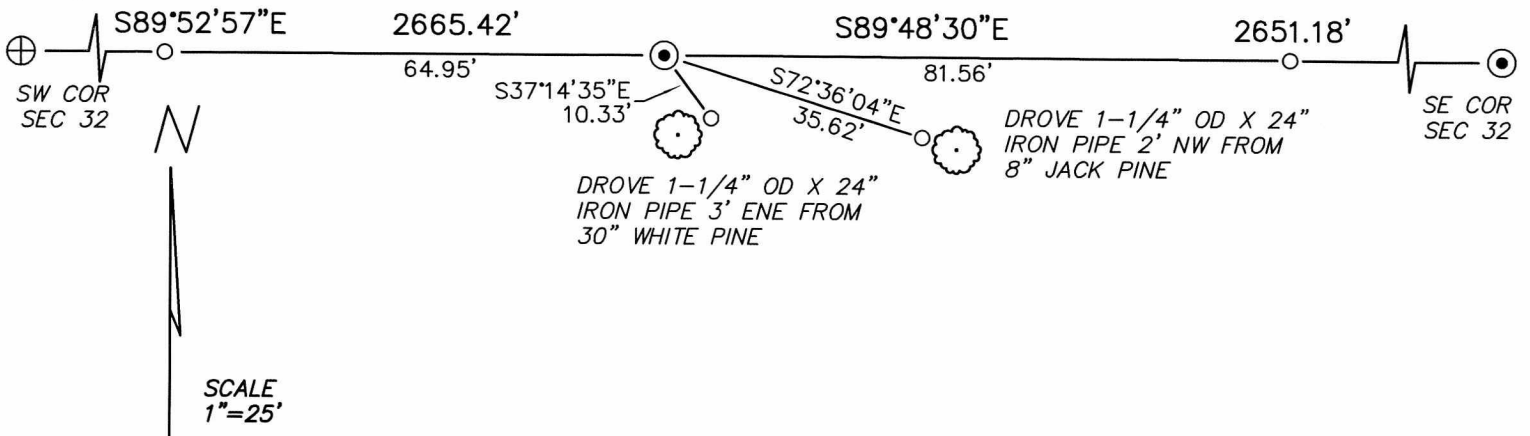
Harley A. Sime set the Harrison monument at this corner midway between section corners in 1972. We found his monument leaning downhill. We plumbed the monument and referenced it as shown. The corner is on a steep sandy slope and will probably tip downhill again. Direct GPS observations are difficult because of the large white pine directly overhead and other trees around.



CERTIFIED CORRECT AND COMPLETE TO THE BEST OF MY KNOWLEDGE AND BELIEF:

Norman Ray Hurlburt
 Registered Land Surveyor
 DATE: 11/26/13

TIE SKETCH



ACCOUNTING INFORMATION: Invoice # _____ Check # _____ Date Paid _____

THIS AREA FOR COUNTY SURVEYOR MAINTENANCE NOTES:

XXXXXXXXXXXXXXXXXXXXXXXXXXXXXXXXXXXXXXXXXXXXXXXXXXXXXXXXXXXXXXXXXXXXXXXXXXXXXXXXXXXXXXXXXXXXXXXXXXXXXXXXXXXXXXXXXXXX

THIS AREA FOR THE SURVEYOR DRAFTING THIS TIE SHEET

Note to Surveyor filing this record: Please review the physical condition of the monument and its vicinity and then indicate this marks susceptibility to being eroded, damaged or destroyed on a scale of 1 to 10 (1 being a low risk of damage etc and 10 being an extremely high risk)

APPROXIMATE RISK LEVEL 7

JACKSON COUNTY - U.S. PUBLIC LAND SURVEY MONUMENT RECORD

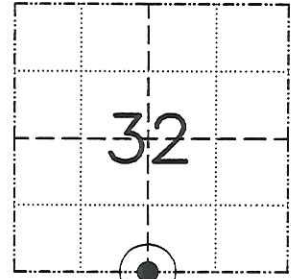
TYPE OF MONUMENT: Harrison Cast Iron Monument
 REFERENCED FOR SURVEY RECORDED IN CSM# _____ OR CSR# 3170
 SURVEYOR'S FILE# OR PROJECT# HSE File 12041
 DRAWN BY: NRH
 WITNESS: DJH

CORNER VOL. _____, PAGE _____
 CORNER# 10 2204320020
 SECTION 32, T 20 N, R 4W

GEOGRAPHIC LOCATION:

LATT: _____
 LONG: _____
 ELLIPSOID HEIGHT _____ m _____ ft.
 ORTHO HEIGHT _____ m _____ ft.
 Estimated height accuracy ± _____ ft.

NAD 83 (91)
 WISCRS - JACKSON COUNTY
 COUNTY COORDINATE SYSTEM
 (TO BE ASSIGNED BY COUNTY)
 N = _____
 E = _____



LOCATION
 (INDICATE W/ MONUMENT SYMBOL)

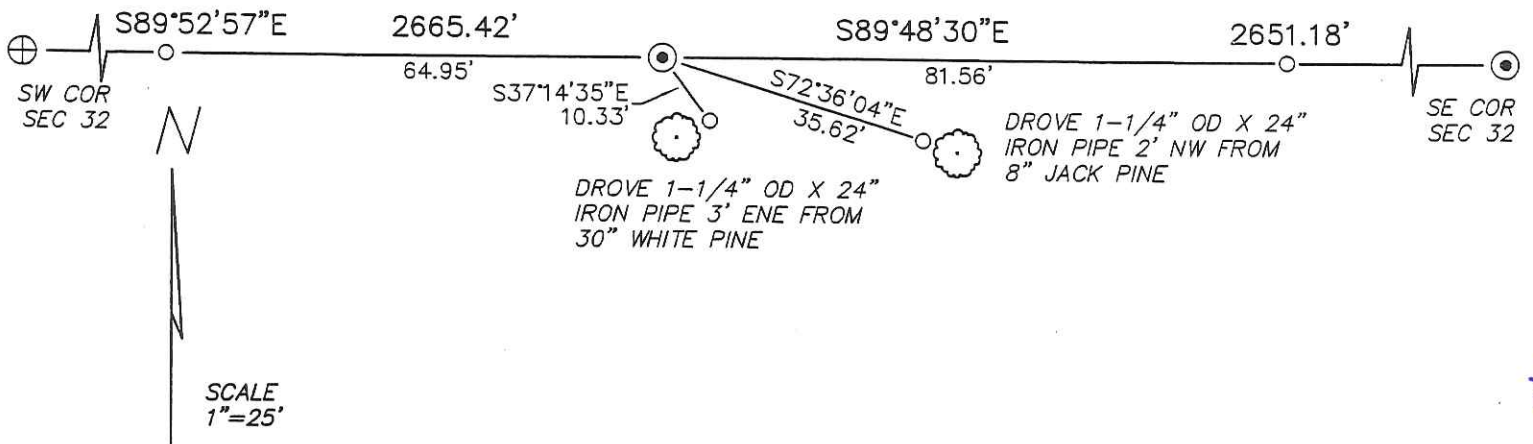
BASIS FOR MONUMENT LOCATION

Please describe if this is a found, obliterated or lost corner. Give a complete history of the corner listing the vol. & page, dates, surveyor and description of found monument. Please list all parole testimony and who provided it as well as other witness' of recovery. Please describe the best way to reach this corner. Indicate how obstructed this monument might be for GPS observations. Continue on backside if necessary.

Harley A. Sime set the Harrison monument at this corner midway between section corners in 1972. We found his monument leaning downhill. We plumbed the monument and referenced it as shown. The corner is on a steep sandy slope and will probably tip downhill again. Direct GPS observations are difficult because of the large white pine directly overhead and other trees around.

CERTIFIED CORRECT AND COMPLETE
 TO THE BEST OF MY KNOWLEDGE
 AND BELIEF:
Norman Ray Hurlburt
 Registered Land Surveyor
 DATE: 11/26/13

PIE SKETCH



o/f

I, Harley A. Sime, do hereby certify that on the 9th day of November 19 72, I found ~~(none)~~ (no evidence) of the N ¼ corner of Section 5, T19 N, R 4 W, Fourth Principal Meridian, and I re-established said corner according to the Wisconsin Statutes as shown and described hereon.

Dated this 7th day of March 1977.

History of original corner establishment:

Schroeder set ¼ post on the North line of Section 5, April 28, 1893.

Description of corner evidence found:

Set at equal distances from the NW corner and the NE corner on a straight line.

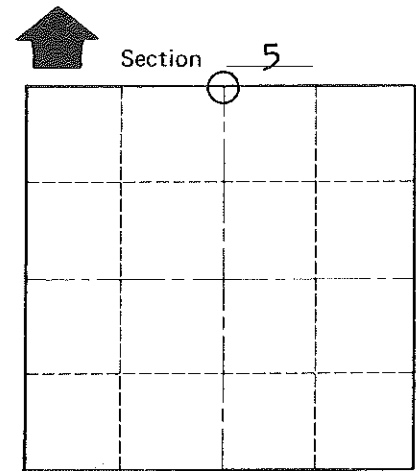
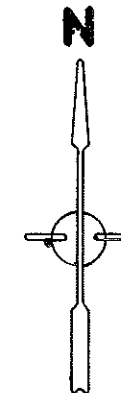
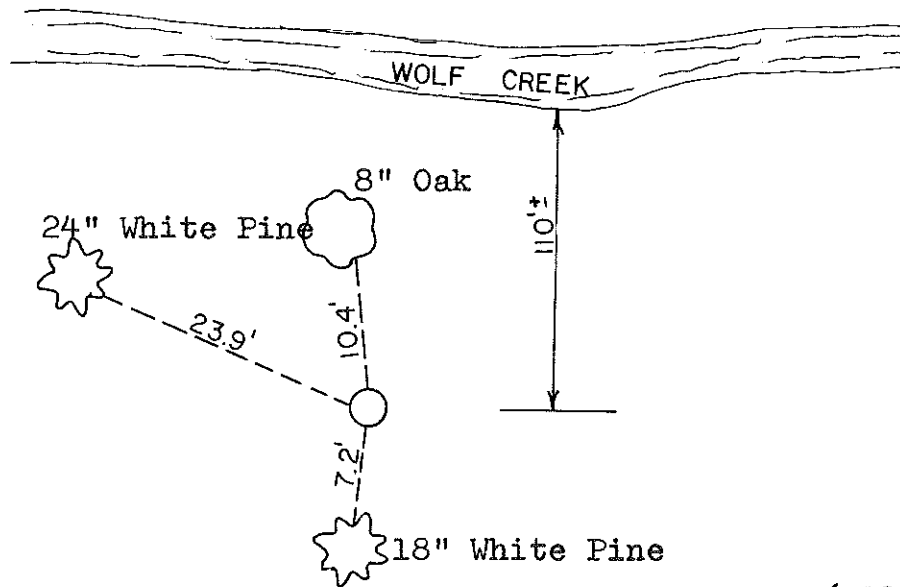
County Surveyor Approved: HARLEY A. SIME
Title MONROE CO. SURVEYOR

Description of corner and witness monuments, references and accessories used to perpetuate the original or re-established location of this corner:

Set Harrison monument at the top of the slope.

Witnesses to corner location:

F. Zietlow
D. Marten
L. Fedderson



O = LOCATION CORNER

T 19 N R 4 W
 WISCONSIN

(all trees blazed)

SURVEY CONTROL ORDER

| | |
|------------|-------|
| Horizontal | _____ |
| Vertical | _____ |

WISCONSIN COORDINATE SYSTEM

| Corner | East (X) | North (Y) | Elevation (Z) | Zone |
|-------------------|----------|-----------|---------------|------|
| Control Sta. Name | | | | |

City, Village or Town Little Falls

County of Monroe

COUNTY SURVEYOR FORM NO. 1