

CERTIFICATE

CERTIFIED LAND CORNER

No. 46

21704100020

I, Harley A. Sime, do hereby certify that on the 5 day of May 19 75, I found ~~(evidence)~~ (no evidence) of the S 1/4 corner of Section 10, T 17 N, R 4W, Fourth Principal Meridian, and I re-established said corner according to the Wisconsin Statutes as shown and described hereon.

History of original corner establishment:

Description of corner evidence found:

Dated this 15 day of Jan. 1976.

Set the corner on line with the section corners and in the occupied N-S 1/4 line.

[Signature]
County Surveyor
Title

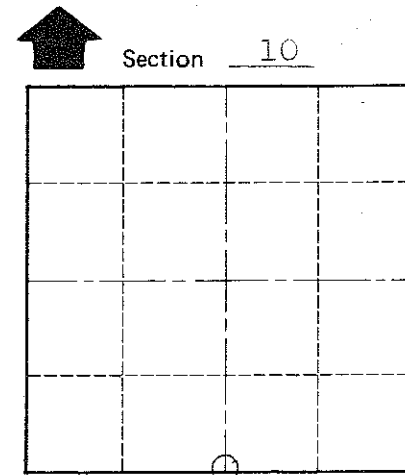
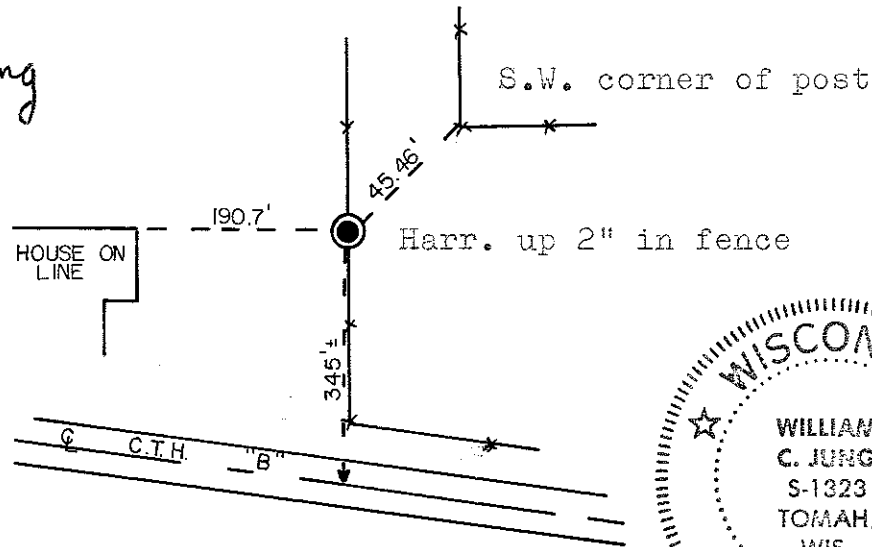
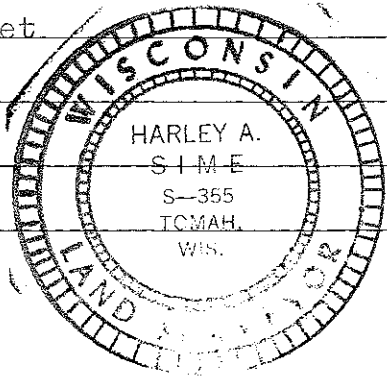
Description of corner and witness monuments, references and accessories used to perpetuate the original or re-established location of this corner:

Set Harrison in the fence, up 2".

Witnesses to corner location:

W.C. Jung - Crew Chief W.C. Jung

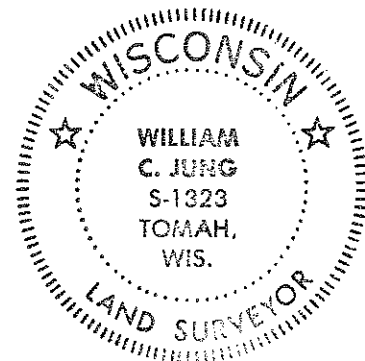
D. Malliet



O = LOCATION CORNER

T 17 N R 4W

WISCONSIN



COUNTY SURVEYOR FORM NO. 1

SURVEY CONTROL ORDER

Horizontal	_____
Vertical	_____

WISCONSIN COORDINATE SYSTEM

Corner	East (X)	North (Y)	Elevation (Z)	Zone
Control Sta. Name				

City, Village or Town Sparta

County of Monroe