

CERTIFICATE

CERTIFIED LAND CORNER

No. 24

21704020020

I, Harley A. Sime, do hereby certify that on the 13 day of January 1976, I found (evidence) ~~(no evidence)~~ of the S 1/4 corner of Section 2, T 17 N, R 4W, Fourth Principal Meridian, and I re-established said corner according to the Wisconsin Statutes as shown and described hereon.

History of original corner establishment:

Description of corner evidence found:

Dated this 15 day of Jan. 1976.

Accepted fence corner as the best available evidence. This corner fits Sections 2 & 11 very well. Did not set a Harrison as the existing iron pipe fence corner is very large and solid.

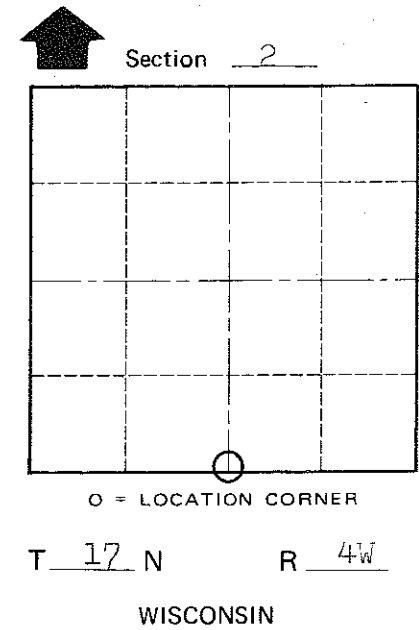
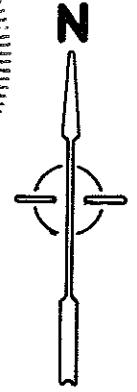
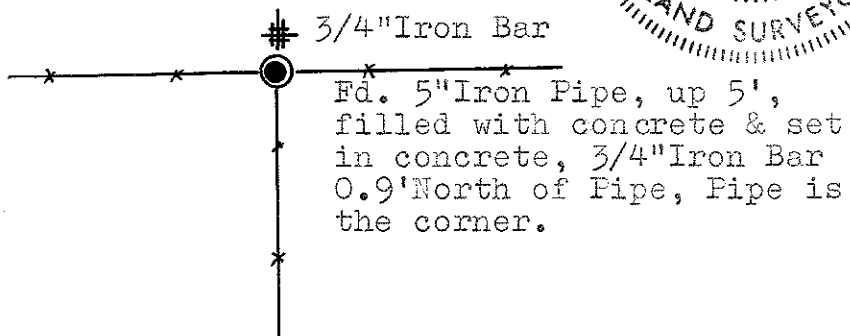
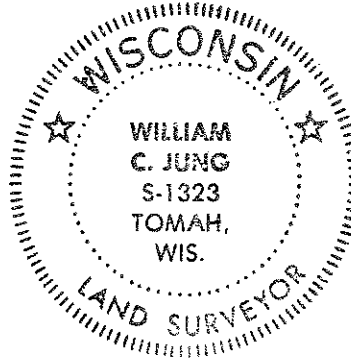
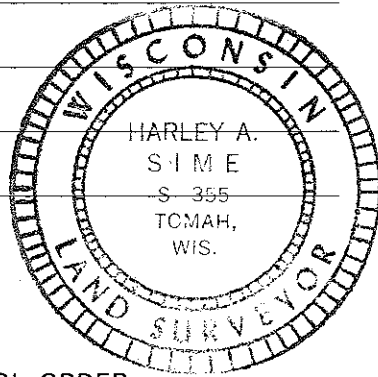
Harley A. Sime  
County Surveyor  
Title

Description of corner and witness monuments, references and accessories used to perpetuate the original or re-established location of this corner:

The corner is a large iron pipe fence corner.

Witnesses to corner location:

W.C. Jung - Crew Chief W.C. Jung  
G. Sime



COUNTY SURVEYOR FORM NO. 1

SURVEY CONTROL ORDER

Horizontal \_\_\_\_\_  
Vertical \_\_\_\_\_

WISCONSIN COORDINATE SYSTEM

Corner	East (X)	North (Y)	Elevation (Z)	Zone
Control Sta. Name				

City, Village or Town Sparta  
County of Monroe