

CERTIFICATE

I, Harley A. Sime, do hereby certify that on the 21 day of November 1975, I found (evidence) (~~removed~~) of the West 1/4 corner of Section 24, T 17 N, R 2 W, Fourth Principal Meridian, and I re-established said corner according to the Wisconsin Statutes as shown and described hereon.

Dated this 29th day of March 1977.

County Surveyor

Title

Description of corner and witness monuments, references and accessories used to perpetuate the original or re-established location of this corner:

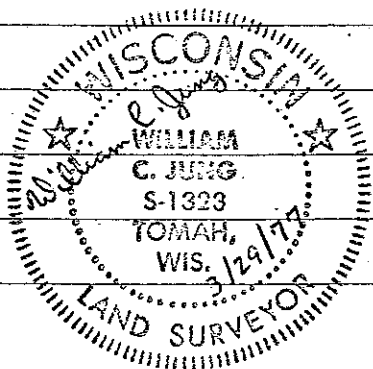
Set Harrison in road, down 4", buried stone with monument.

Witnesses to corner location:

Malliet

Jung

Lueck



SURVEY CONTROL ORDER

Horizontal	_____
Vertical	_____

WISCONSIN COORDINATE SYSTEM

Corner	East (X)	North (Y)	Elevation (Z)	Zone
Control Sta. Name				

CERTIFIED LAND CORNER

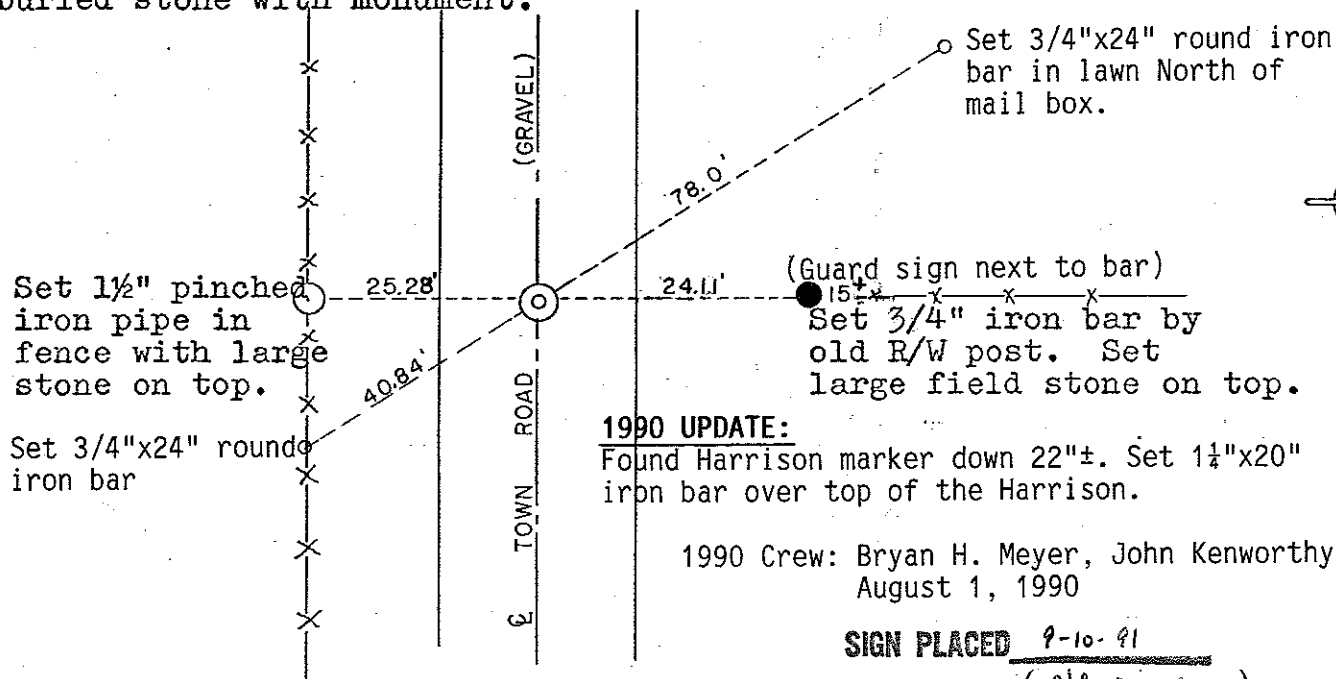
History of original corner establishment:

O. R. Dahl was at this corner in 1868.

Description of corner evidence found:

Set a survey point halfway between old 3 rod right of way fences and on line with the 1/4 line fence to the east. Found a pointed stone, 12" long, this point. This point fit the section, so we accepted it and set a Harrison Monument.

1990 UPDATE: Found that a "lift" had been put on the road leaving the Harrison down about 22"±. Set 1 1/2"x20" round iron bar over the top of the Harrison, found the two existing ties and set two additional ties. BHM



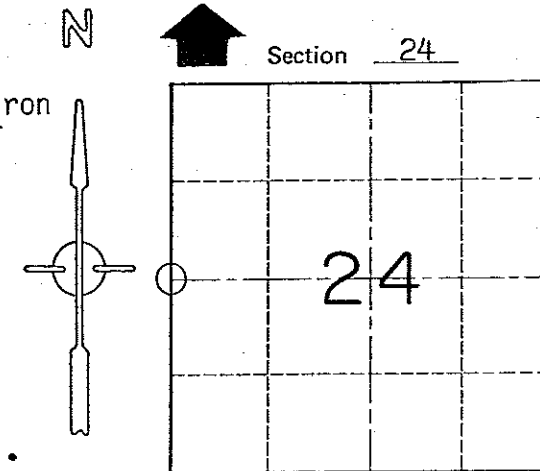
1990 UPDATE:

Found Harrison marker down 22"±. Set 1 1/2"x20" iron bar over top of the Harrison.

1990 Crew: Bryan H. Meyer, John Kenworthy  
August 1, 1990

SIGN PLACED 9-10-91  
(old sign gone)

21702232000



O = LOCATION CORNER

T 17 N R 2 W

WISCONSIN

~~Village~~ Town Adrian

County of Monroe

COUNTY SURVEYOR FORM NO. 1

CERTIFICATE

CERTIFIED LAND CORNER

No. 79

*See Pg. 2*

I, Harley A. Sime, do hereby certify that on the 21 day of November 1975, I found (evidence) (~~no evidence~~) of the West 1/4 corner of Section 24, T 17 N, R 2 W, Fourth Principal Meridian, and I re-established said corner according to the Wisconsin Statutes as shown and described hereon.

Dated this 29th day of March 1977.

County Surveyor  
Title

**Approved: HARLEY A. SIME  
MONROE CO. SURVEYOR**

Description of corner and witness monuments, references and accessories used to perpetuate the original or re-established location of this corner:

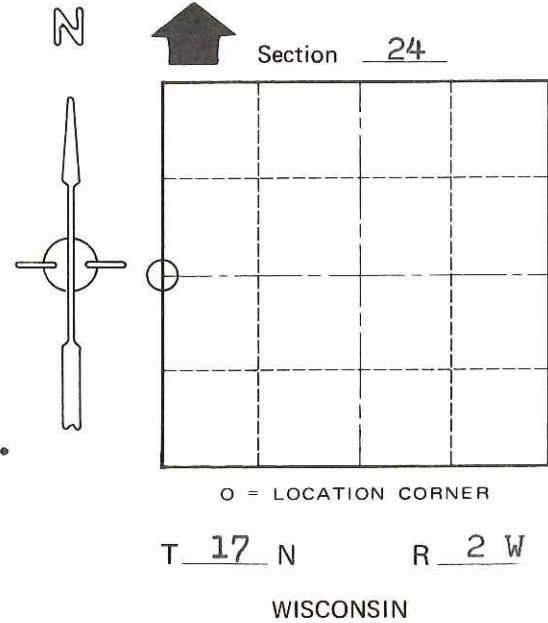
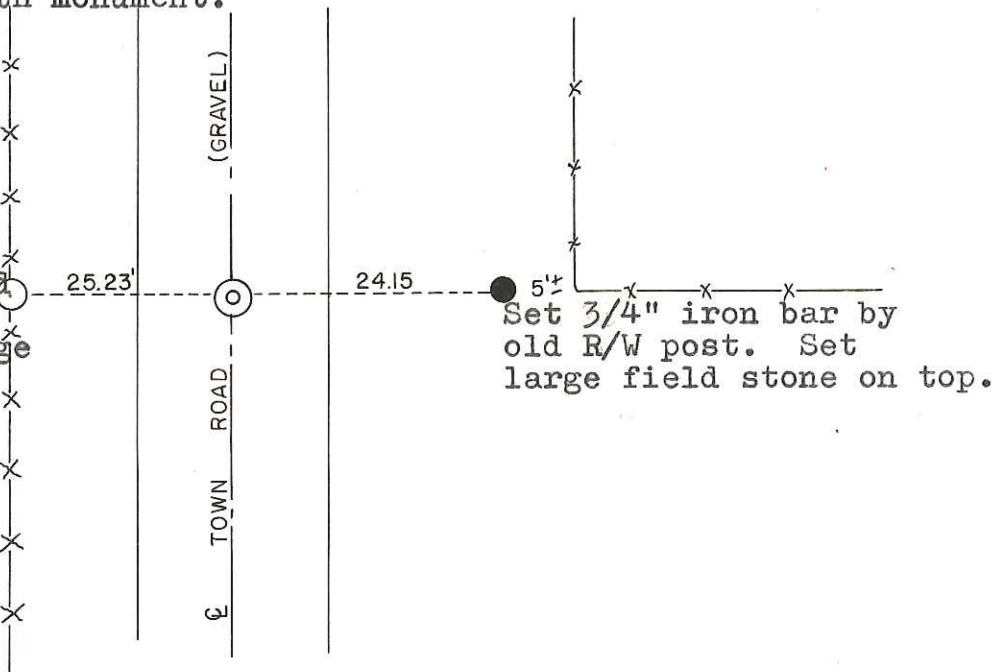
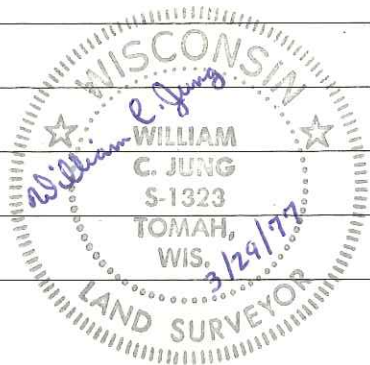
**Set Harrison in road, down 4", buried stone with monument.**

Witnesses to corner location:

Malliet

Jung

Lueck



COUNTY SURVEYOR FORM NO. 1

SURVEY CONTROL ORDER

Horizontal \_\_\_\_\_  
Vertical \_\_\_\_\_

WISCONSIN COORDINATE SYSTEM

Corner	East (X)	North (Y)	Elevation (Z)	Zone
Control Sta. Name				

History of original corner establishment:

O. R. Dahl was at this corner in 1868.

Description of corner evidence found:

Set a survey point halfway between old 3 rod right of way fences and on line with the 1/4 line fence to the east. Found a pointed stone, 12" long, at this point. This point fit the section, so we accepted it and set a Harrison Monument.

City, Village or Town Adrian

County of Monroe