

21503230000

I, Mark R. Heidecke, do hereby certify that on the 6 day of February 19 79, I found ~~XXXXXX~~ (no evidence) of the Northwest Section corner of Section 25, T 15 N, R 3 W ~~E~~ Fourth Principal Meridian, and I re-established said corner according to the Wisconsin Statutes as shown and described hereon.

Dated this 23 day of May 19 79.

Mark R Heidecke

Registered Land Surveyor  
Title



Description of corner evidence found:

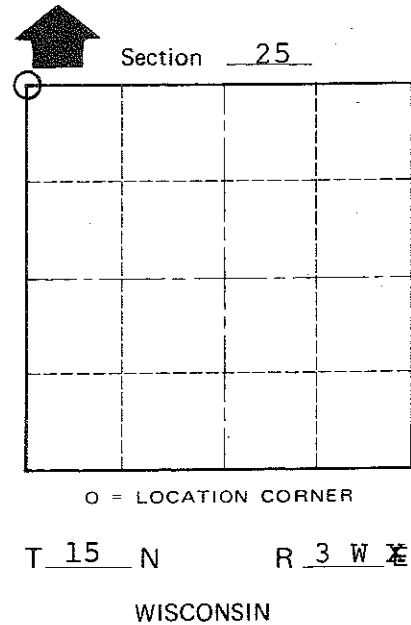
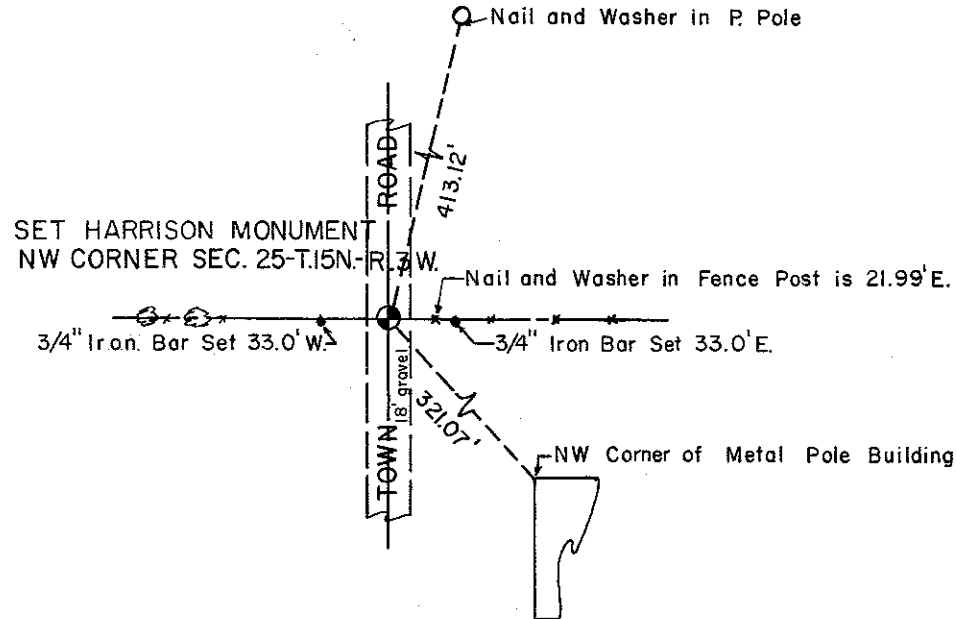
This corner was established with a Harrison monument at the location of the intersection of the centerline of a gravel Town Road running North and South and a fence to the East and an old fence to the West. This location is verified by the Quarter corner occupation along the North and West lines of the section.

Description of corner and witness monuments, references and accessories used to perpetuate the original or re-established location of this corner:

Witnesses to corner location:

Mark R. Heidecke

Lawrence A. Feddersen



COUNTY SURVEYOR FORM NO. 1

SURVEY CONTROL ORDER

Horizontal	_____
Vertical	_____

WISCONSIN COORDINATE SYSTEM

Corner	East (X)	North (Y)	Elevation (Z)	Zone
Control Sta. Name				

~~XXXXXX~~ Town of Jefferson  
County of Monroe